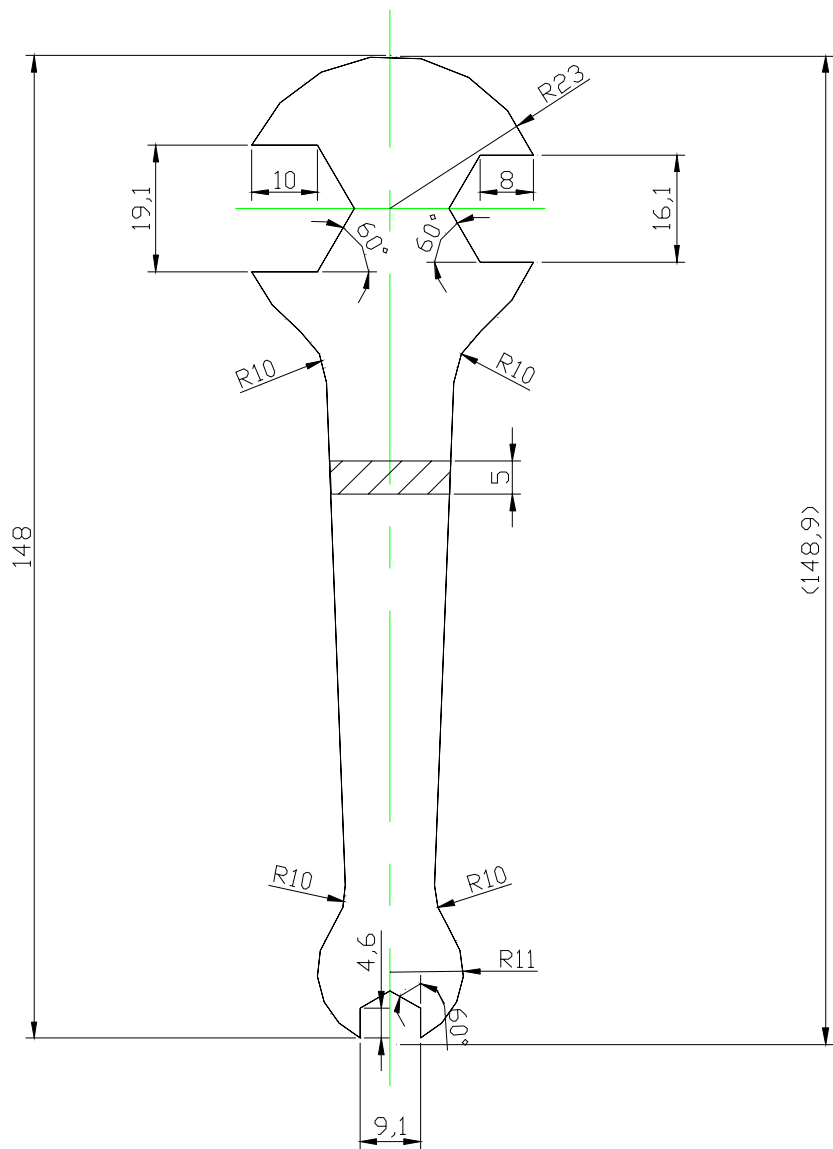


The lamps are meant for Kerosene/Paraffin only.

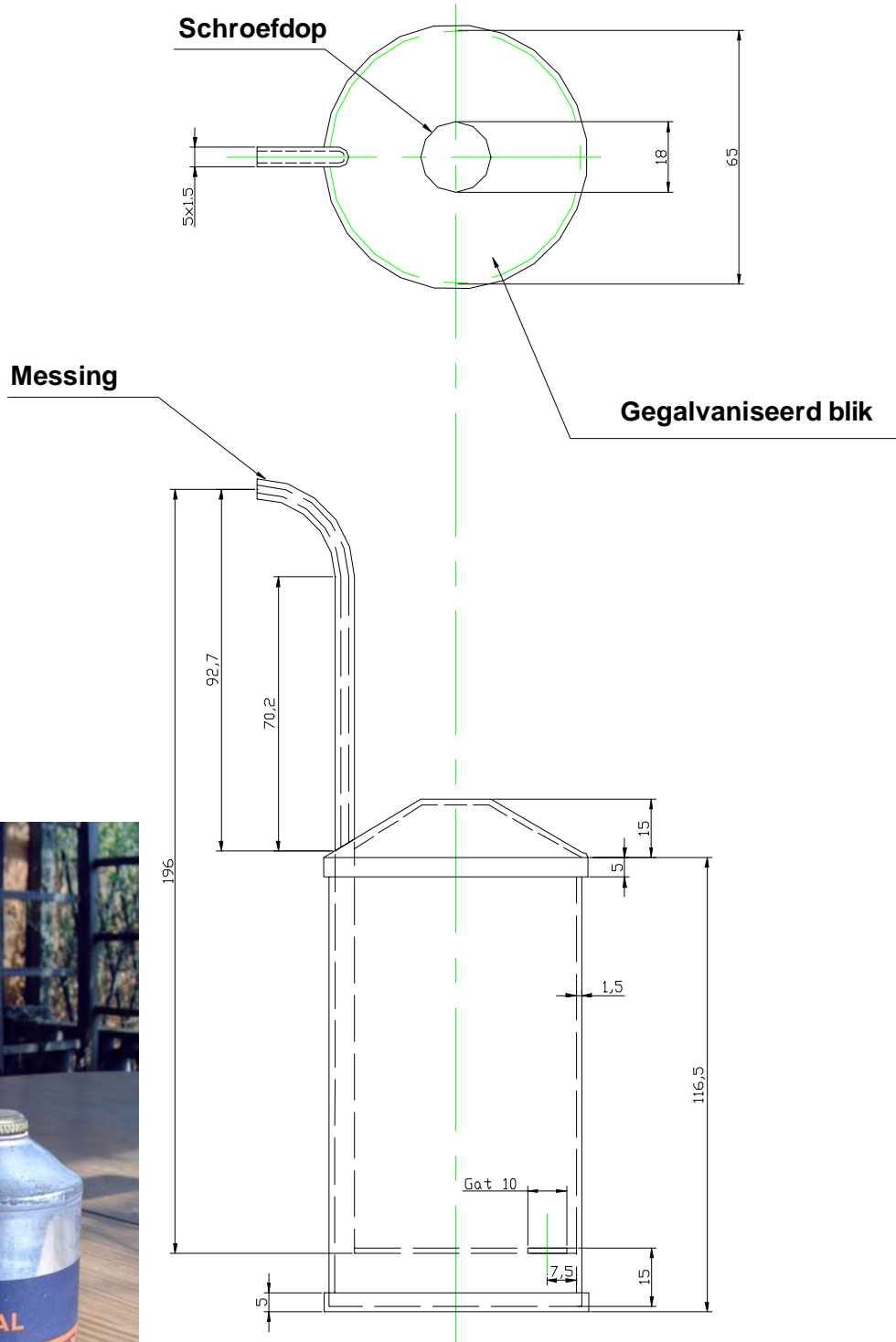
1. Remove filling screw 5, insert funnel 65 and pour paraffin into the container. The filling is completed as soon as the paraffin is seen to remain in the funnel. Replace filling screw.
2. Take care that valve 7 is closed by turning to the right.
3. Tie the "Original Petromax" mantle to the nozzle 3, screw the latter into gas chamber 34. Screw pilot tip 38 so to lighter 36 that the small hole points to the mantle.
4. Put the glas-globe 74 into the reflector.
5. Pump air into the container with pump 6 until the indicator of the pressure gauge reaches the red mark.
6. Pour Methylated Spirit into the heating cup 35, which is covered by flap (Px 835) or side 55 (Px 834), and apply a light. One tilt of the spirit can provides just a sufficient quantity of spirit to enable the lamp to be lighted up. Can must be kept inclined until no more spirit pours out.
7. Clean in the preheating time nipple 50 with needle 68.
8. When the spirit in the heating cup has almost burnt out, open valve 7 slowly by turning about once to the left. It is very essential for the perfect working of the lamp that the preheating has been done thoroughly. The liquid fuel flows through the feed pipe and valve to the vaporizer, where it is evaporated by heat. The mantle burns off with the spirit flame and automatically shapes itself. Should it happen that the spirit flame extinguishes before the valve is opened, the lamp can be lit at the mantle with a match.
9. Air Regulation
The regulating screw 32 is designed to regulate the quantity of air which is taken in. When lighting the lamp for the first time the slot in the screw-head must be in vertical position. The screw has then slowly to be turned to the left by means of a screw-driver until the mantle reaches its full lighting power.
10. To extinguish the lamp turn handle of valve 7 to the right till you feel resistance.

Practical Hints for maintenance und service of Lamps

1. To clean or renew the vaporizer-stuffing.
Remove screw-plug 52 and draw the stuffing 53 slowly out by means of the supplied key for vaporizer-stuffing 69 by giving a slow turn to the right. In order to clean the stuffing, it is good to allow it to remain in paraffin for some time. We recommend to renew the stuffing after about 4 weeks burning.
2. To clean or renew the nipple-stuffing.
Unscrew nipple 50 with spanner and draw out the stuffing 51.
Clean as mentioned under § 1.
3. Leakages may arise:
 - a) At the filling-screw through a defect in the washer; renew the same.
 - b) In the air pump by getting dirt into valve 10 under slackening of valve-spring 18. A leaky pump valve will push the pump piston out of the barrel. The faulty parts should be replaced.
 - c) At the cut off valve 7. Tighten sleeve-nut 27. If this does not seal the leakage, loosen sleeve-nut 27, screw out valve-spindle 31 and replace asbestos-packing 29.
4. To clean the heating-cup:
After lowering the reflector and removing the mantle, the heating-cup can be lifted by giving a slight turn to the left.
5. To remove soot from the mantle:
The mantle gets sooty when the valve is opened before nearly all the spirit in the heating-cup is burnt out. In this case the vaporizer is not hot enough, to vaporize the paraffin. The paraffin burns in the mantle with yellow-sooty flame. Close at once valve 7 and repeat the preheating after a little while. Clean nipple with needle. The sooty mantle will become white again while burning after lowering of the reflector.
 - a) by carefully blowing on it with the mouth,
 - b) by blowing air into the mixing tube by means of a thin brass pipe.In case the air-pump does not work, a cycle-pump can be fixed to valve 13 of the filling screw and be used.



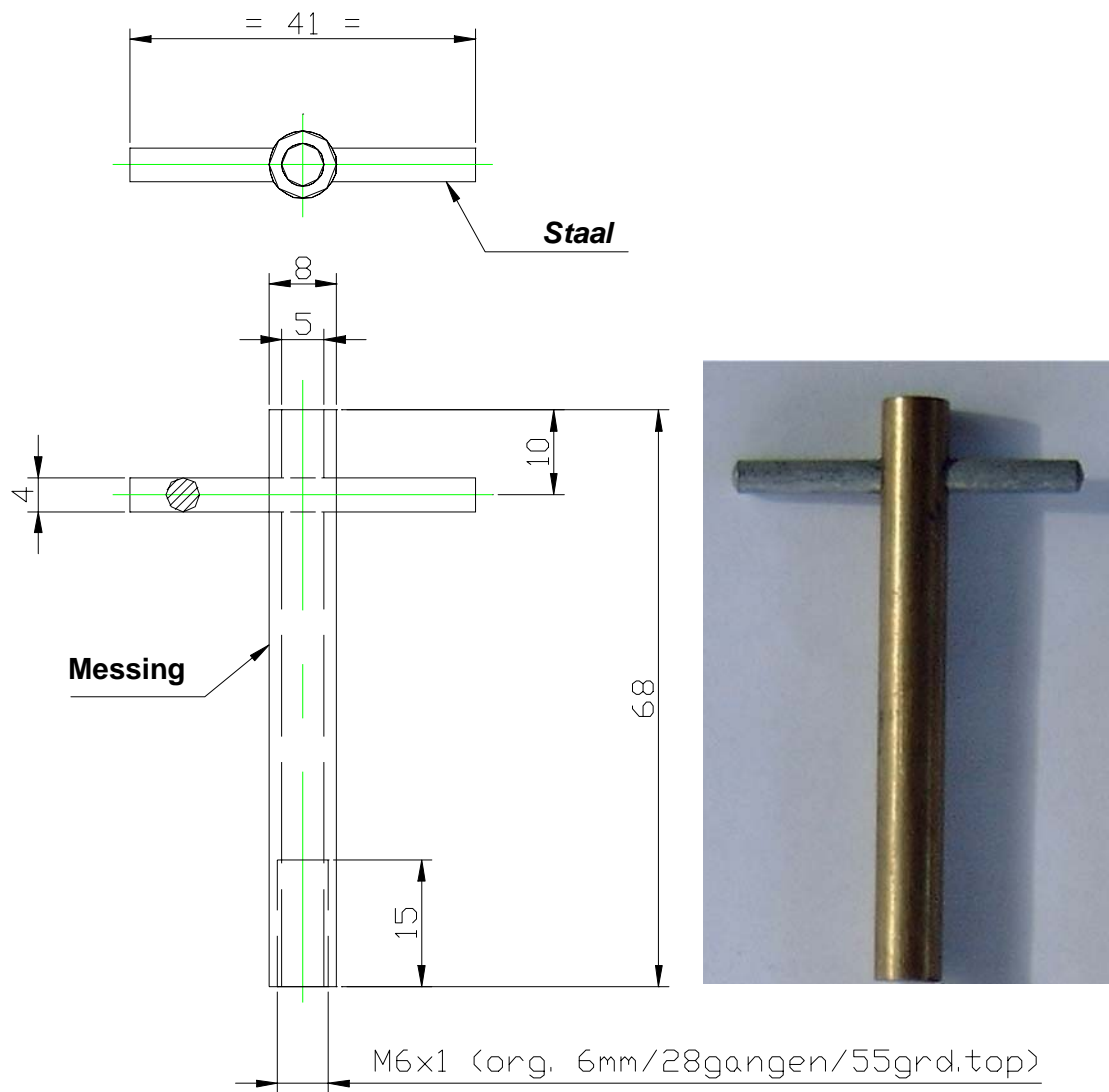
**Px 834 Universeelsleutel, 28/04/04,
© Wim van der Velden
Maten in mm**



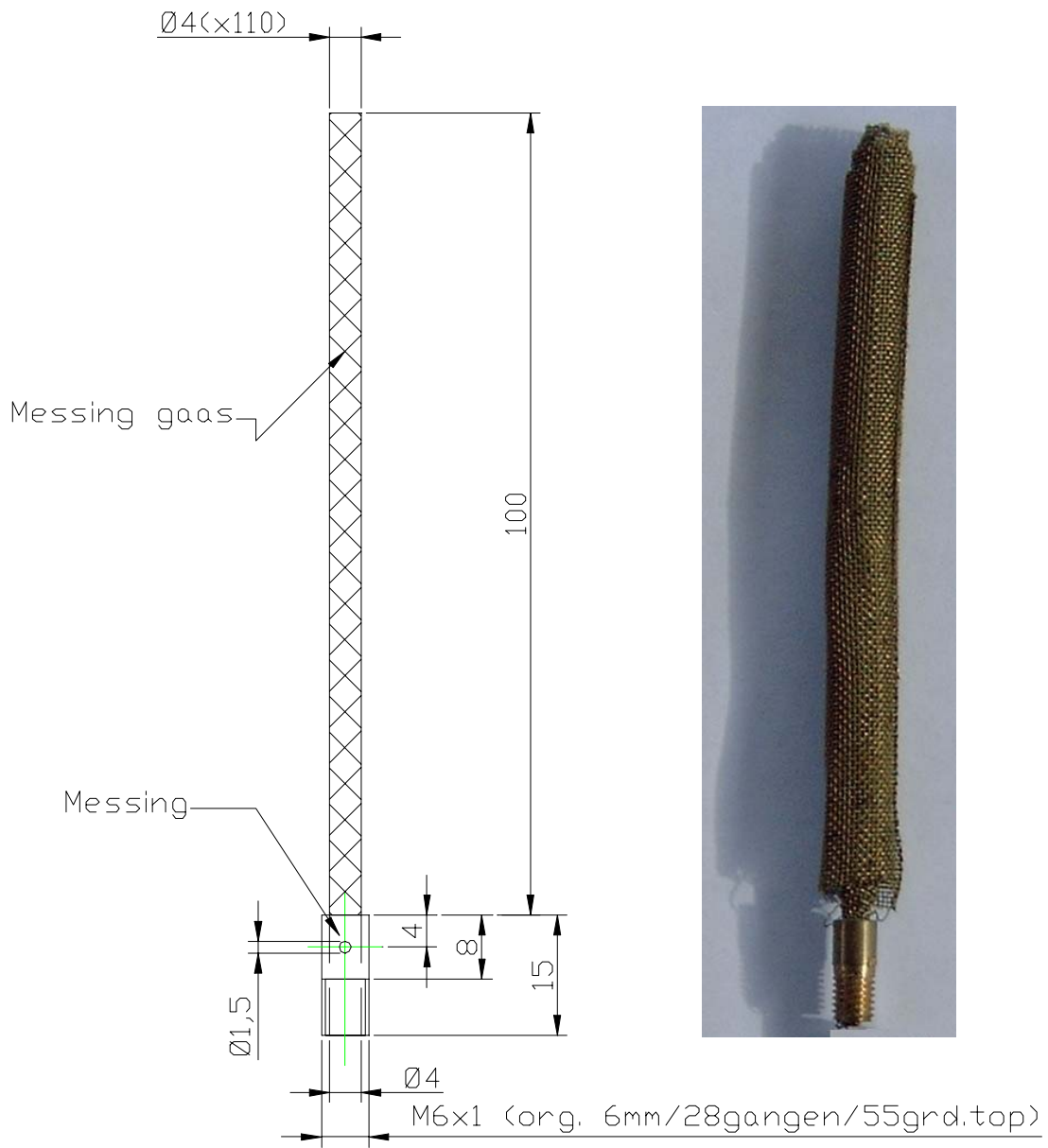
**Px 834 Spirituskan, 28/04/04,
© Wim van der Velden
Maten in mm**

Banner voor de spirituskan, printen op 100%.

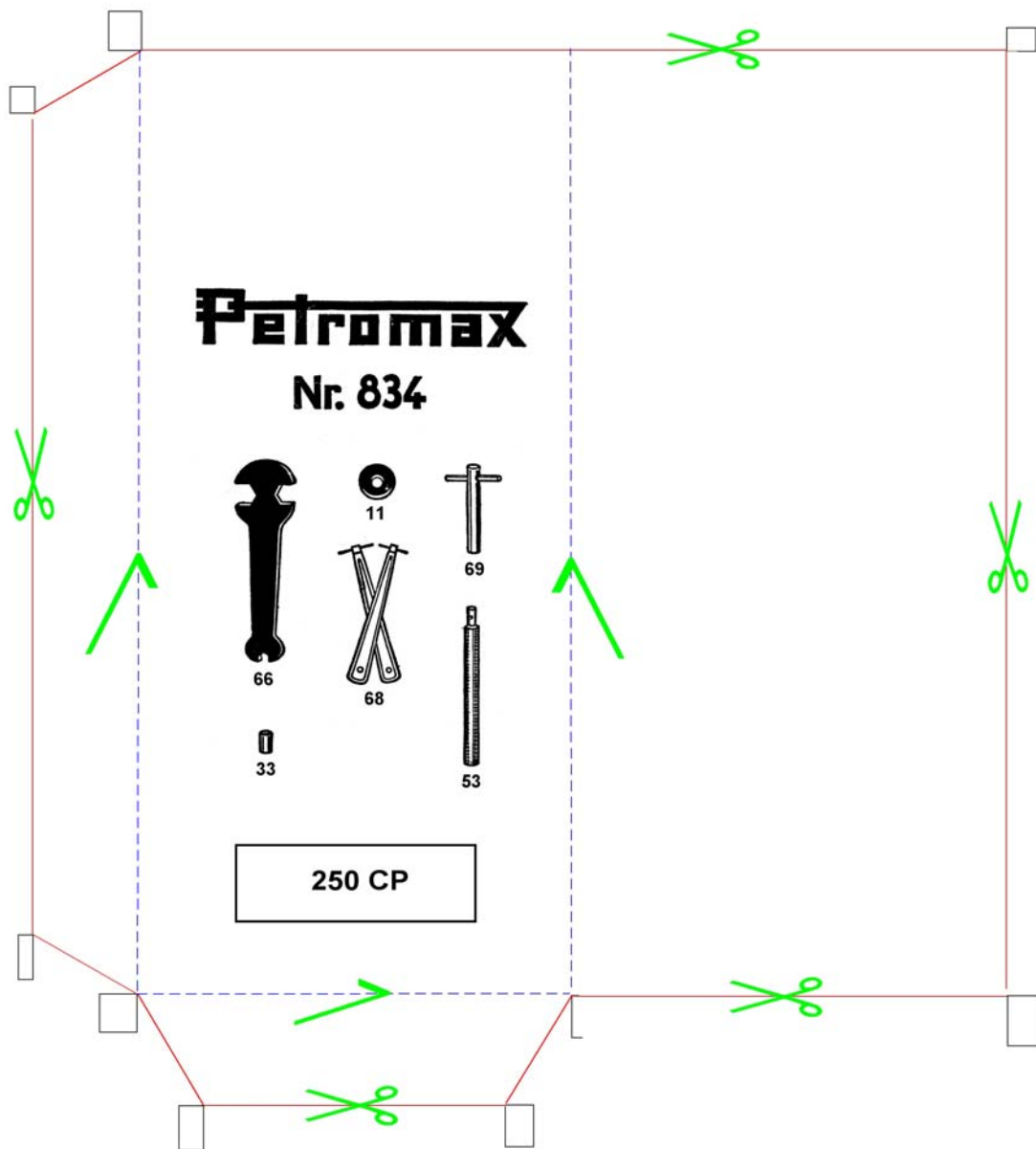




**Px 834 Filtersleutel, 28/04/04,
© Wim van der Velden
Maten in mm**

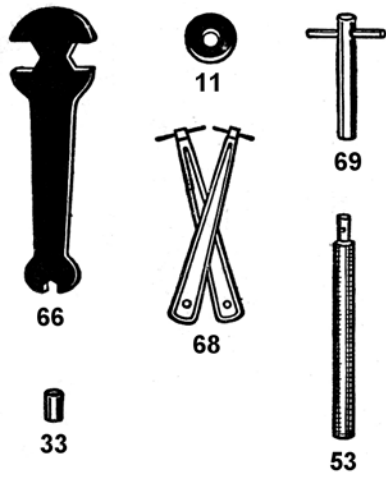


Px 834 Filter, 02/09/04,
© Wim van der Velden
Maten in mm

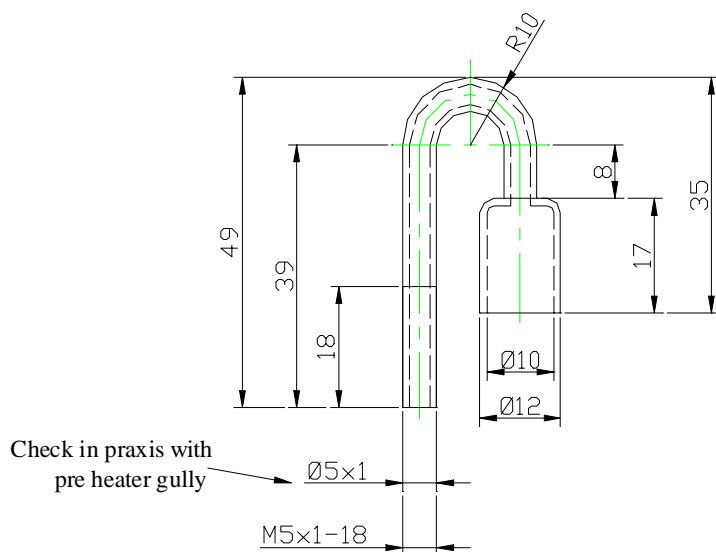
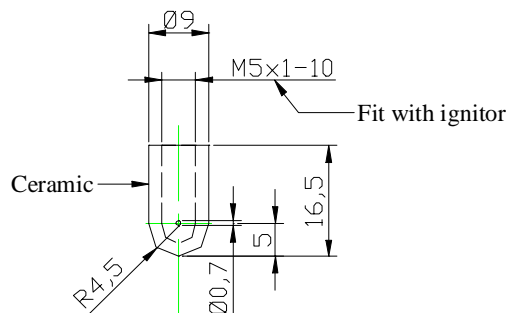


Petromax

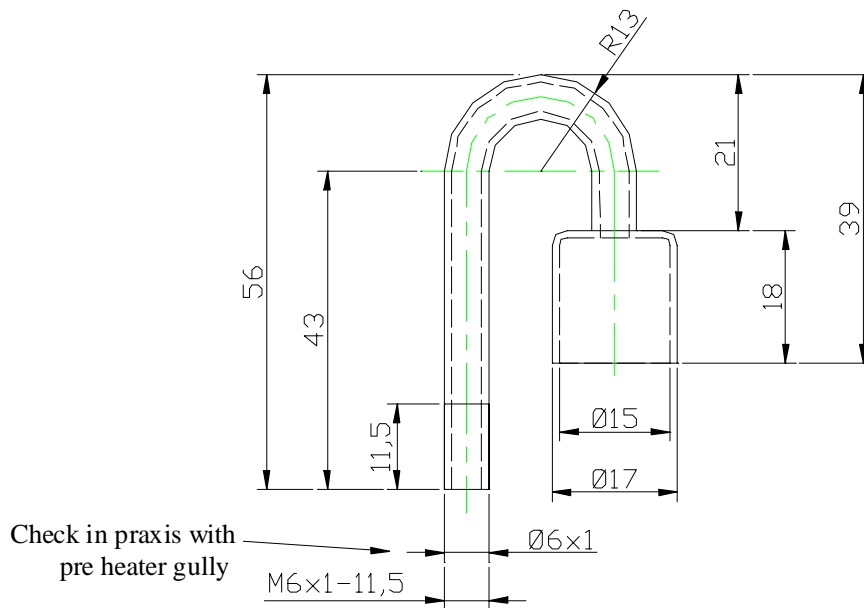
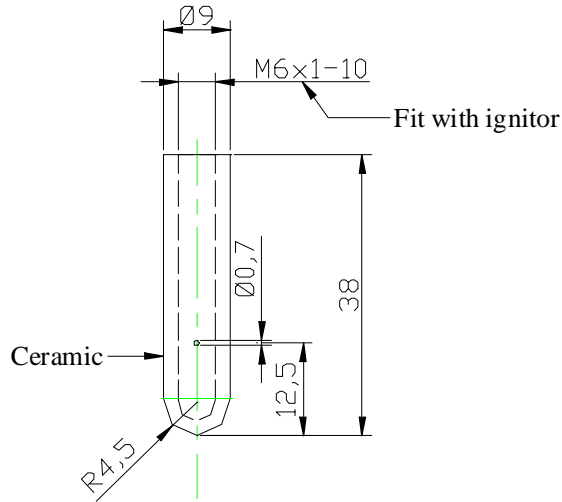
Nr. 834



250 CP



**Px 834 Ignitor with tip, 30/09/04,
 © Wim van der Velden
 Maten in mm
 Material: messing (brass)
 Metric thread is NOT original**



Px 835 Ignitor with tip, 30/09/04,

© Wim van der Velden

Maten in mm

Material: messing (brass)

Metric thread is NOT original